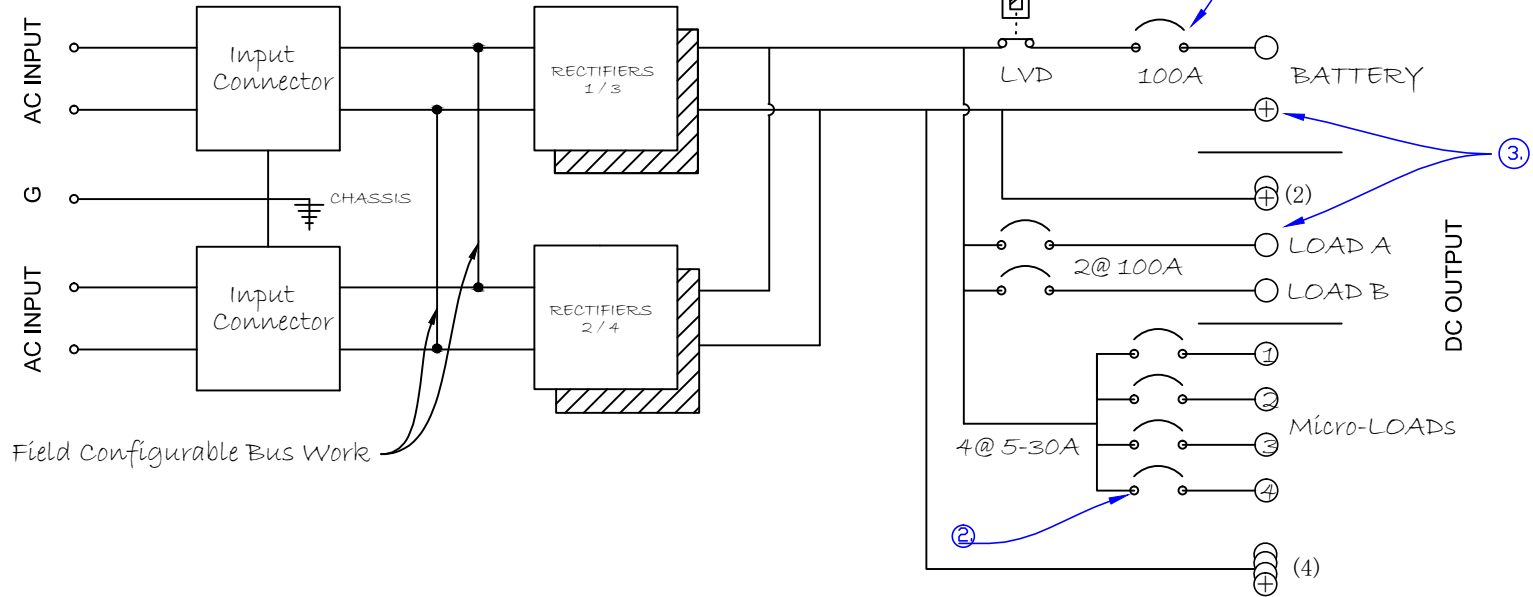
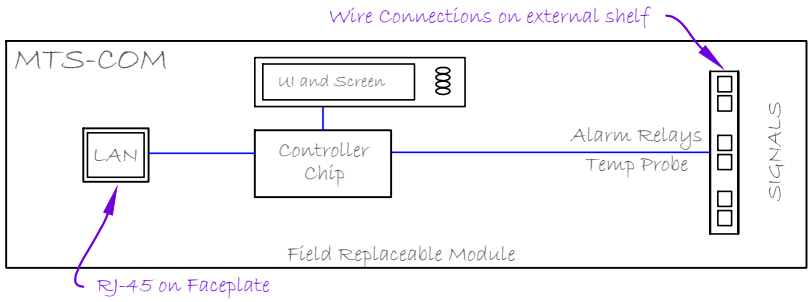




REVISIONS				
ZONE	REV	DESCRIPTION	DATE	APPROVED
	0	Customer Drawing / Circuit; Electrical	01/2017	YES



- NOTES:
- 100A Circuit Breakers; fixed; Mid-trip alarm
  - Selectable Field Configurable
  - Terminal Barrier Strip w/ protective covers.

APPLICATIONS:  
 MTS48/50AT-2U  
 MTS48/75AT-2U  
 MTS48/100AT-2U

Majorpower Corporation 7011 Industrial Dr. Mebane, North Carolina 27302 (919) 563-6610		Majortel DC Power		
		MTS48/100AT-2U		
www.majorpower.com	SIZE		DWG NO. MTS-D403-OLE	REV V12B
	SCALE	N/A	SHEET	1 of 1