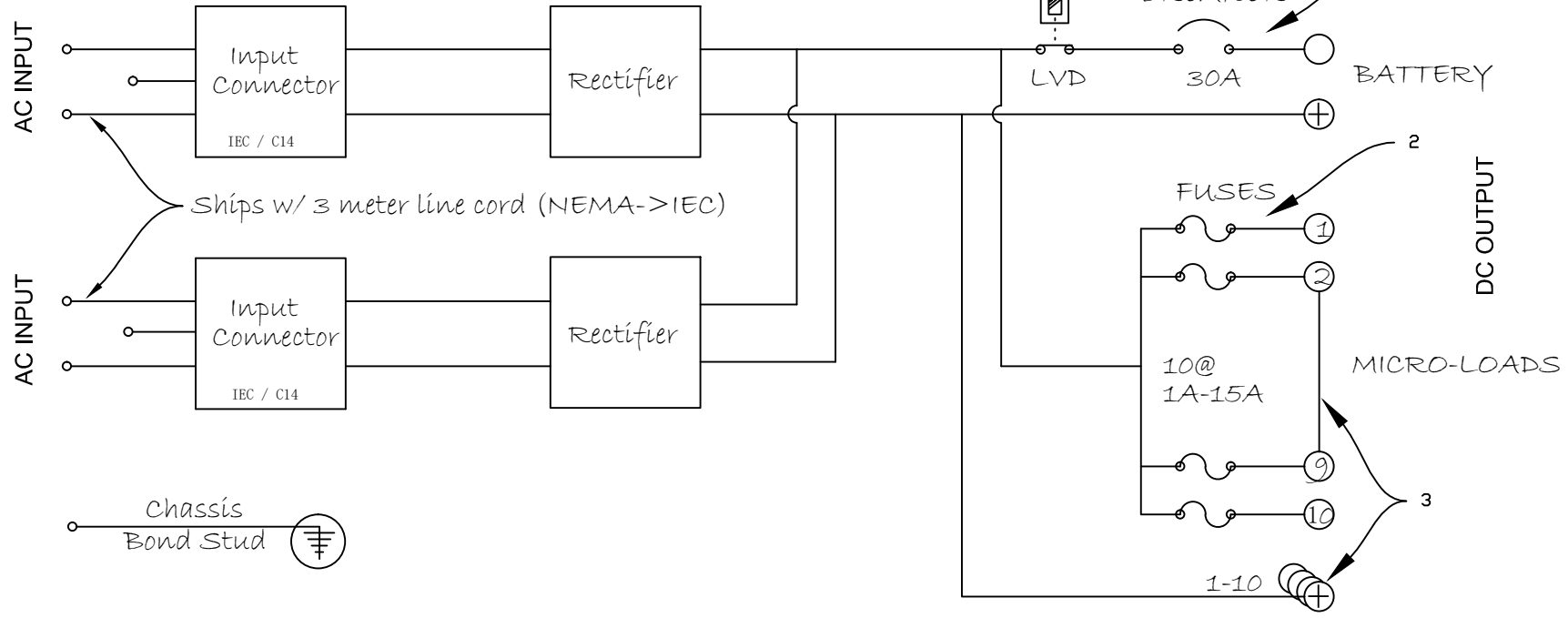
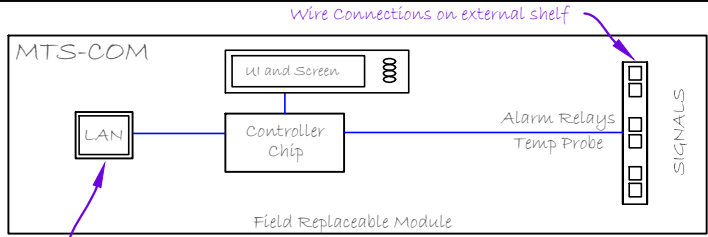




REVISIONS				
ZONE	REV	DESCRIPTION	DATE	APPROVED
	0	Customer Drawing / Circuit; Electrical	04/2016	YES



- Notes:
1. Circuit Breaker rated to 30 amps; field-configurable
 2. Standard GMT Fuses; user provided
 3. Terminal Barrier Strip w/ protective cover.

Applications:
MTS48/30FL-1U

Majorpower Corporation 7011 Industrial Dr. Mebane, North Carolina 27302 (919) 563-6610		Majortel DC Power		
		MTS48/30FL-1U		
	SIZE	DWG NO. MTS-D405-OLE	REV V13A	
www.majorpower.com		SCALE N/A	SHEET 1 of 1	