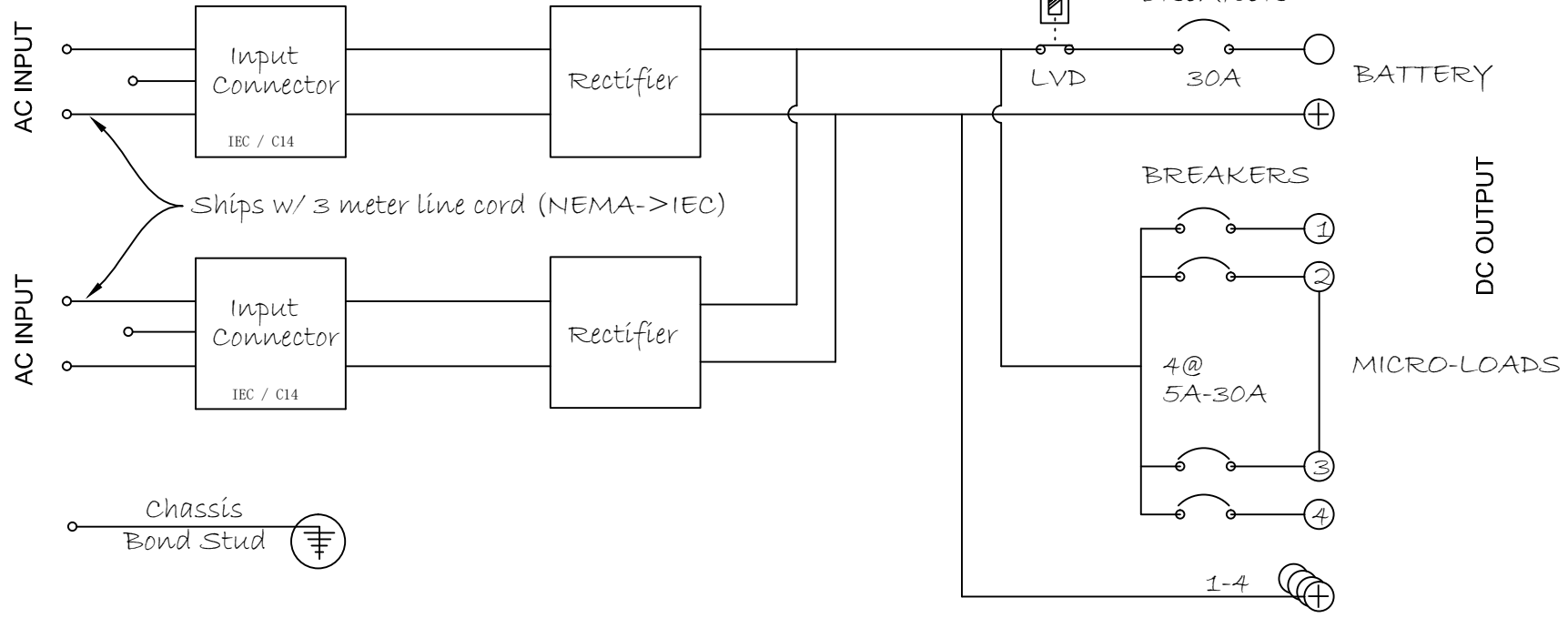
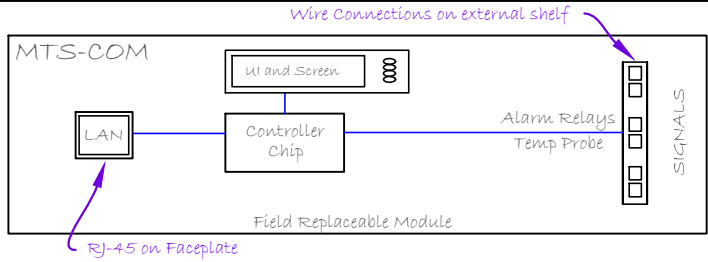




REVISIONS				
ZONE	REV	DESCRIPTION	DATE	APPROVED
	0	Customer Drawing / Circuit; Electrical	01/2013	YES



Applications:
MTS48/30BL-1U

Majorpower Corporation
7011 Industrial Dr.
Mebane, North Carolina 27302
(919) 563-6610

Majortel DC Power

MTS48/30BL-1U

www.majorpower.com

SIZE	DWG NO. MTS-D401-OLE	REV V13A
SCALE N/A	SHEET 1 of 1	