

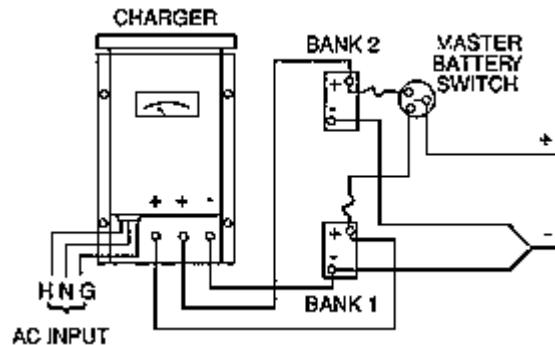
## RM Battery Chargers

RM Series Battery Chargers are well suited for commercial and recreational marine applications or maintaining communication system batteries at base stations and remote sites, and are rugged enough for installation in emergency vehicles.



### Product Features

- Fully automatic operation
- Charges multiple battery banks simultaneously
- Ammeter indicates total charging current
- Flow thru louver cooling
- Compact size for easy bulkhead mounting
- Automatic boost for quick starts
- Automatic reset thermal overload protection
- Reverse polarity protected
- Ignition protected per USCG Reg. 183.410
- Total AC isolation won't cause electrolysis
- 100% Stainless Steel Case with Drip Shield
- Designed to meet UL 1236 specifications
- Model RM 15-UL is Marine UL listed.



### Model Selection Guide

| Model     | Input Ref.                      | Input Amps @ Full Load | Output Volts | Output Banks | Output Amps | Dimensions                                     | Weight             |
|-----------|---------------------------------|------------------------|--------------|--------------|-------------|--|--------------------|
| RM 8      | 105-125/ 210-250 VAC<br>50-60HZ | 1.5 / .75              | 12           | 2            | 8           | 8.25"H x 7"W x 6.3"D<br>(2.1 x 17.8 x 16.0 cm) | 6 lbs<br>(2.7 kg)  |
| RM 15-UL* | 105-125 VAC<br>50-60HZ          | 3                      | 12           | 2            | 15          | 8.25"H x 7"W x 6.3"D<br>(2.1 x 17.8 x 16.0 cm) | 12 lbs<br>(5.5 kg) |
| RM 15     | 105-125/ 210-250 VAC<br>50-60HZ | 3 / 1.5                | 12           | 2            | 15          | 8.25"H x 7"W x 6.3"D<br>(2.1 x 17.8 x 16.0 cm) | 12 lbs<br>(5.5 kg) |
| RM 20     | 105-125/ 210-250 VAC<br>50-60HZ | 4 / 2                  | 12           | 2            | 20          | 8.25"H x 7"W x 6.3"D<br>(2.1 x 17.8 x 16.0 cm) | 14 lbs<br>(6.4 kg) |
| RM 24-8   | 105-125/ 210-250 VAC<br>50-60HZ | 3 / 1.5                | 24           | 2            | 8           | 8.25"H x 7"W x 6.3"D<br>(2.1 x 17.8 x 16.0 cm) | 12 lbs<br>(5.5 kg) |

\* This model is Marine UL Listed

| Type | Rating   | Temp. Rating  | Float Voltage  |
|------|--|---------------|--|
| RM   | Rated Charging Output 20 min.<br>Derate to 70% for continuous duty | 0-40° Celsius | 13.4 VDC - 12 Volt System<br>26.8 VDC - 24 Volt System |